

Micropore® Vent Filter

Micropore® vent filters is also called vacuum protection filter or gas line filter, They are designed for the removal of particles and micro-organisms for venting and gases. Which are ideal for sterilizing gases, venting sterile containers, sterilizing or clarifying organic solutions and protect laboratory. The special construction allows minimal hold-up volume and particle shedding, making it ideally suited for the critical needs of the pharmaceutical and biotechnology industries.

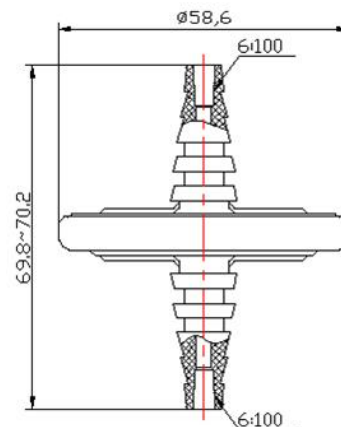
Application

- Sterile venting of small fermenters
- Sterile venting of small containers
- General sterile filtration of gases and air



Features

- Autoclave, ideal for use with bioreactors and fermenters.
- Have broad chemical resistance
- Large surface area provides greater throughput and permits higher air flow rates



Technical Parameter

Pore Size(μm)	0.1, 0.22, 0.45,0.65,0.8,1.0,1.2
Filter Media	PES/Nylon66/PTFE/PP/GF/PVDF
Support & Housing	PP (Polypropylene)
Sealing Technology	Thermal Bonding, No Adhesives
Dimensions	Outer Diameter Φ65: PTFE, Φ60: PES/Nylon66/PP/GF/PVDF Inlet/Outlet: 7~13 mm stepped hose barb connection with 6:100
Filtration Area, ft²	≥0.021
Bubble Point & Air Flow Rate	(PTFE 0.22 μm, 0.01 μm for air & gas) Bubble Point: ≥ 900 mbar with 60/40% IPA/water Air Flow Rate: ≥ 25 L/min at 1 bar
Maximum Operating Pressure	Forward: 3.5 bar @ 23°C and 3.0 bar @ 60°C for liquid, 3.0 bar @ 23°C and 2.5 bar @ 60°C for air & gas
Bacterial Retention	(for 0.22 μm PES/PTFE): Passed the bacterial challenge testing using <i>Brevundimonas diminuta</i> (ATCC19146) at a minimum challenge concentration of 1×10 ⁷ CFU/cm ²
Biological Safety	Meets GB/T 14233.2 <2005> of Chinese National Standard for Safety Tests
Sterilization	By EO or 3 autoclave cycles of 30 min at 123 °C; steam-in-place sterilization not recommended
Good Manufacturing Practices	Manufactured in an Micropore facility which adheres to Good Manufacturing Practices.

Order Information

Cat No	Description	Membrane	Pore Size(μm)	Diameter (mm)	Package
MFPTFE50-022	Inlet/Outlet: Stepped Hose Barb	Hydrophobic PTFE	0.22	50	25
MFPTFE50-045	Inlet/Outlet: Stepped Hose Barb	Hydrophobic PTFE	0.45	50	25
MFPTFE50-100	Inlet/Outlet: Stepped Hose Barb	Hydrophobic PTFE	1.0	50	25

Note: Single packed and with Gamma sterilized is available.